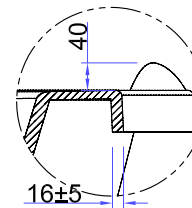
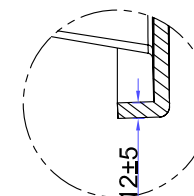


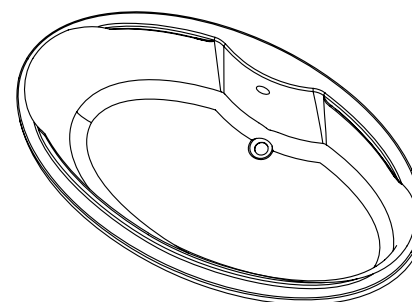
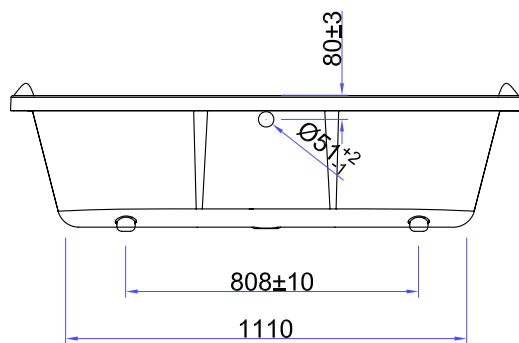
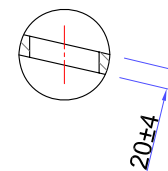
C-C



D-D



E-E



Bath Water Volume : 214 litres * / 144 litres **

* Volume of water contained in the bath if filled to the overflow.

** Volume of water contained in the bath if filled to the overflow less 70 litres displacement to allow for an average person in the bath.

Product weight: 45kg

BEYOND 2000

clearwater
Revival (Worldwide) Ltd™