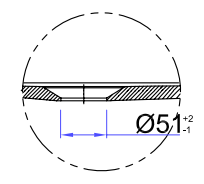
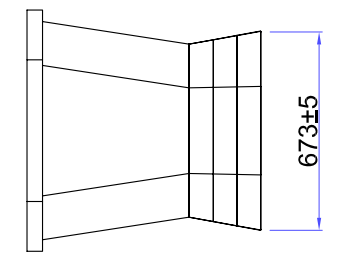
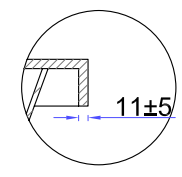


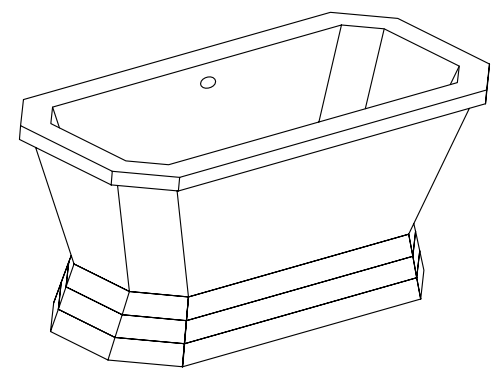
B-B



C-C



D-D



**Bath Water Volume : 240 litres \* / 170 litres \*\***

\* Volume of water contained in the bath if filled to the overflow.

\*\* Volume of water contained in the bath if filled to the overflow less 70 litres displacement to allow for an average person in the bath.

Product weight: 52kg

DECO

clearwater  
Revival (Worldwide) Ltd™